

GRANULE PACKING FILLER

(Jumbo Bag Packing Function Available)

AF-50K



10-50kg
Weighing range

±20g
Best accuracy

≥800 + Pcs/h
Speed



Stable Performance



Easy Installation



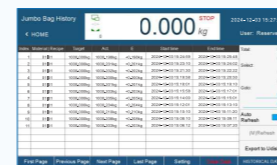
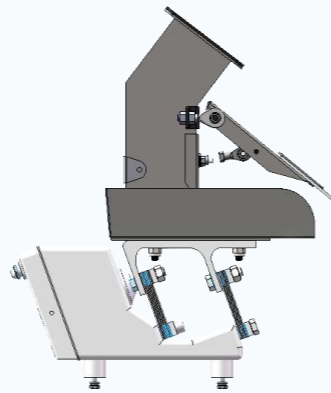
Servo Motor Control



Weighing Accurate

Optional:

- vibrator feeding



Features:

- **Granular material:** design for free-flow granular materials such as plastic particles, rice, sugar and so on ;
- **Module design:** easy dismantling for cleaning;
- **Parameter setting:** self-adjust function with target value set only;
- **Stable performance:** servo motor controls feeding process;
- **Fast and accurate:** 900 pcs/h with fast algorithm , and best accuracy ± 20g.
- **Jumbo bag packing performance:** accuracy: ±500g, speed: 1t/min;
- **Jumbo bag packing function:** multi-pack continuous discharging available, fast feeding for speed and slow feeding of the last pack for accuracy;
- **History record:** every pack's entry and jumbo bag packing data recorded.



Specification		
Model	PaxGO AF-50K	AF-50K Jumbo Bag Packing
Weighing range	10~50Kg	500kg~50t
Division	1g	1g
Best Accuracy*	±20g	±500g
Speed*	≥800pcs/h(Enable fast algorithm:900 pcs/h)	1t/min
Volume	86L	
Feeding method	Feeding control by servo, pneumatic discharging	
Material	SS304,carbon steel	
I/O	8 output(5V),8 input(24V)	
Communication	RS485,Modbus TCP/IP	
Pneumatic	0.4~0.6MPa	
Power	Single Phase AC-220V ±10%,50/60HZ,1KW	
Working environment	0~40°C , 90%R.H condensation is not allowed	

*Normally, the diameter of the testing material 1-5mm.

Structure & Dimension

Unit: mm

